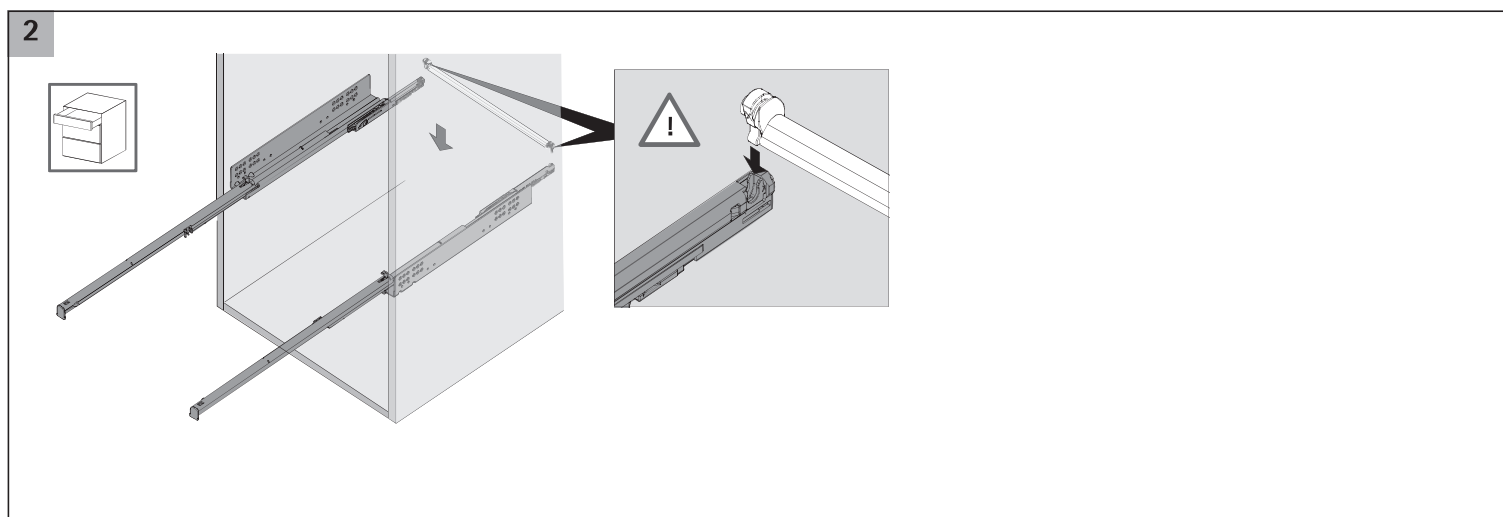
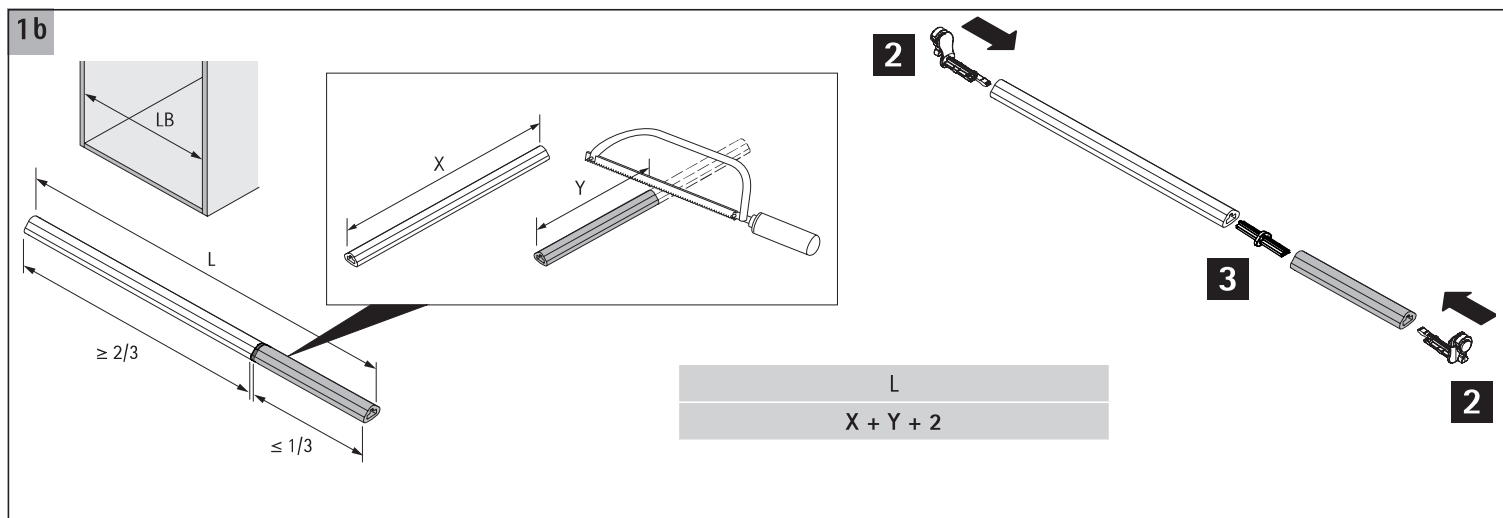
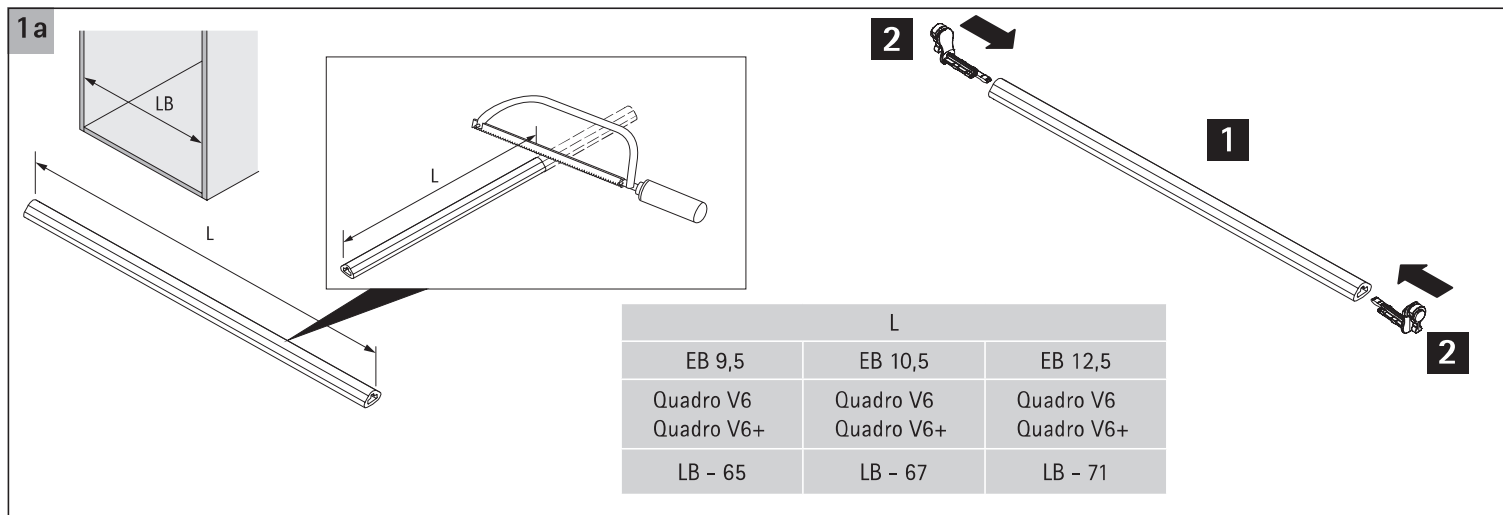
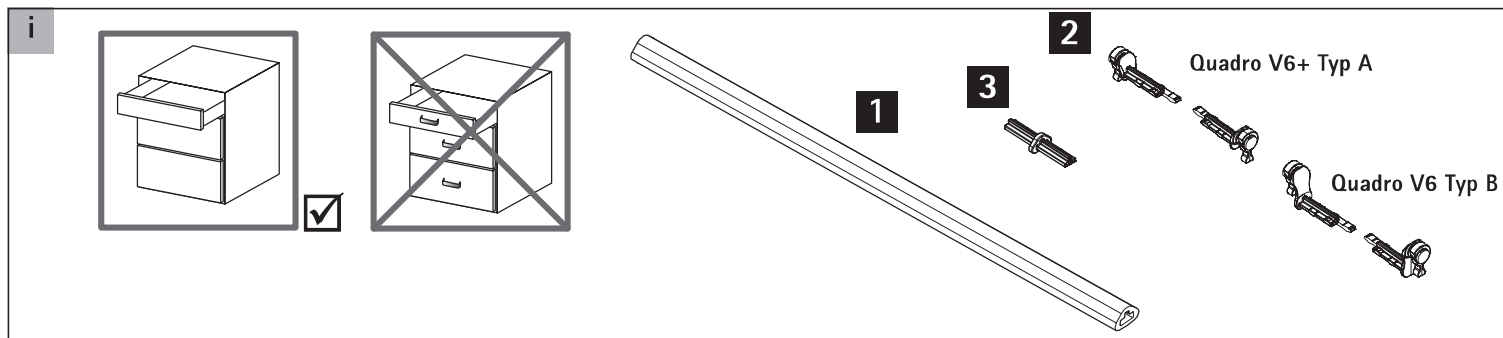
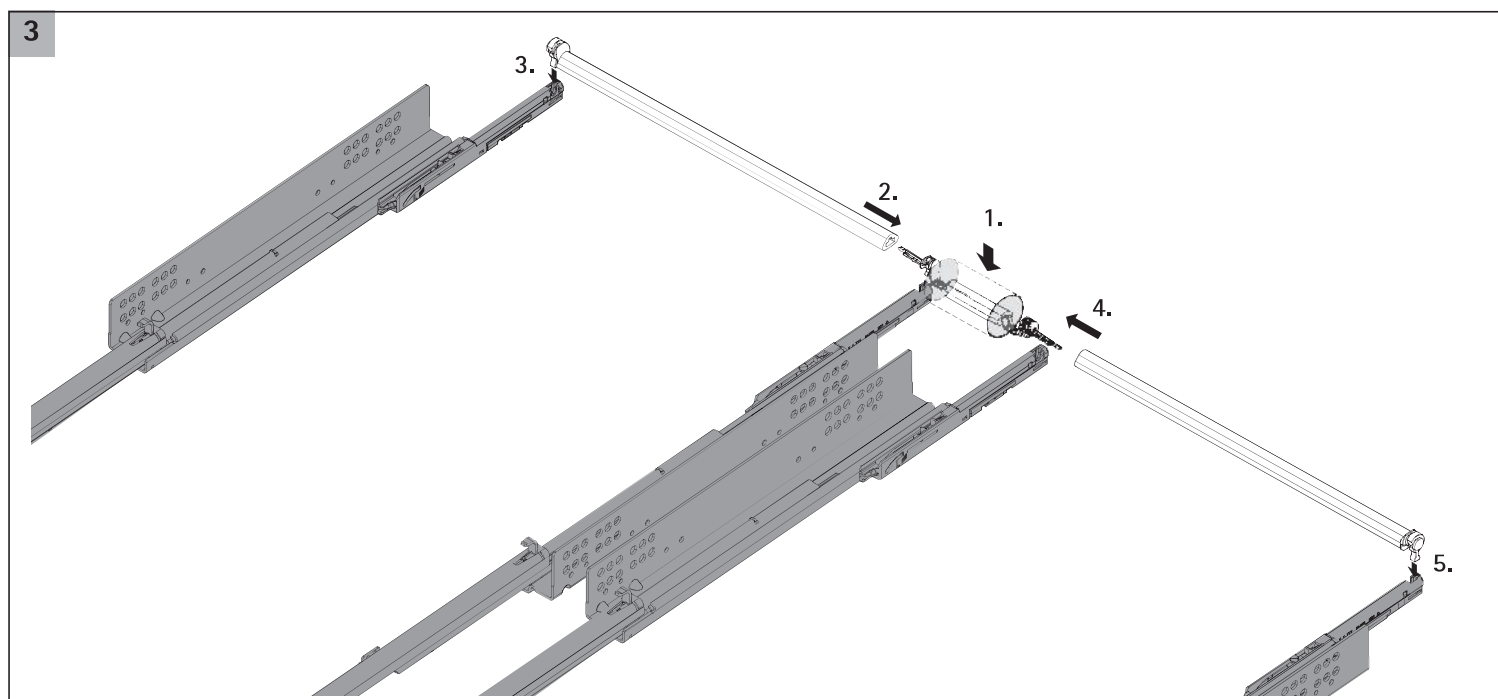
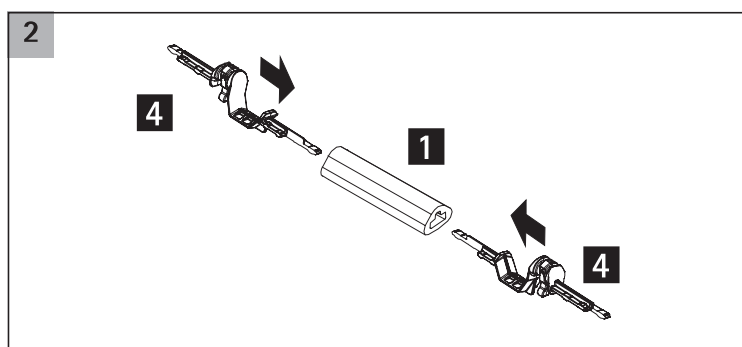
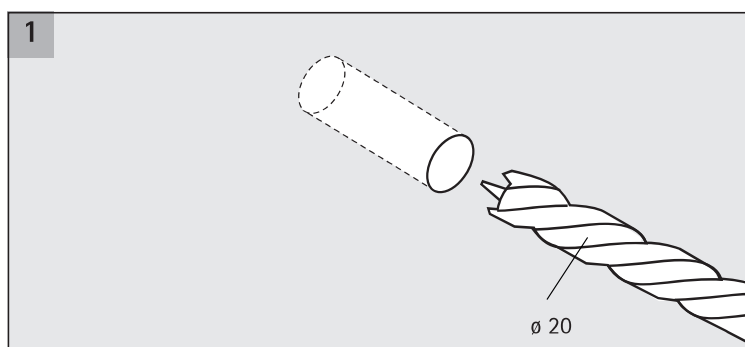
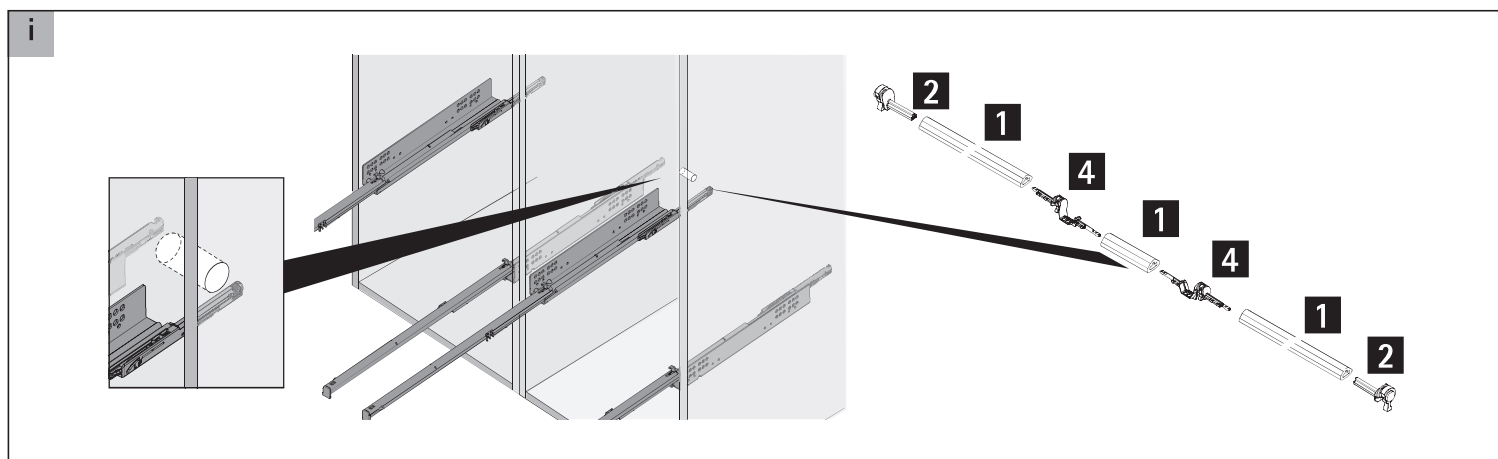
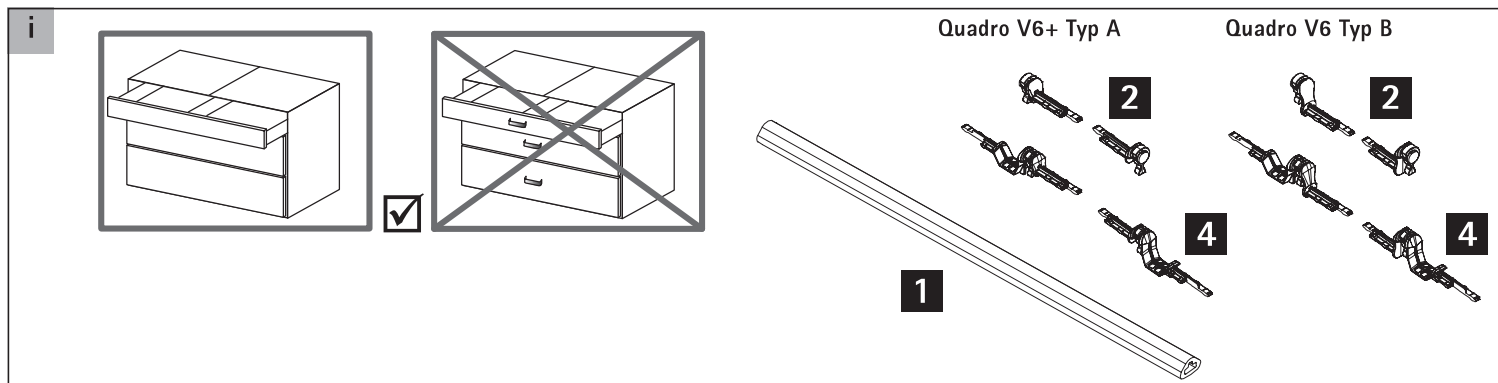


Quadro für InnoTech / InnoTech Atira

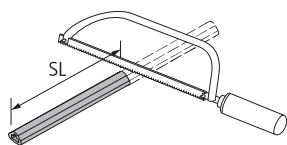
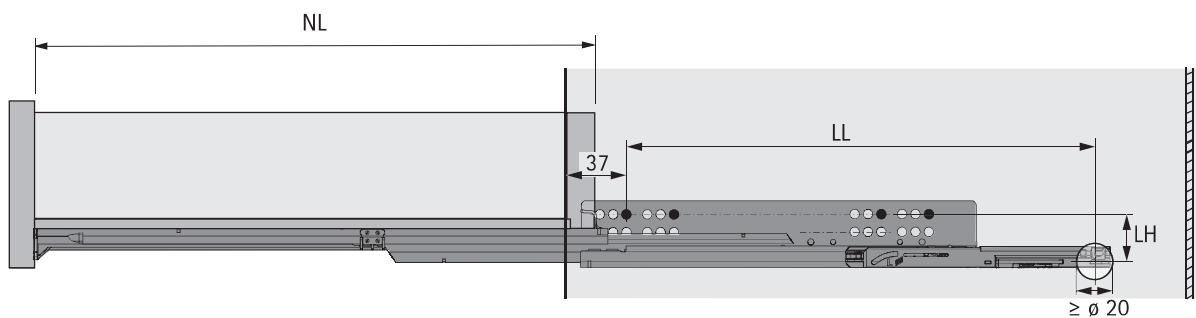
Push to open Synchro/Multisynchronisation



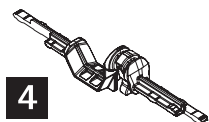
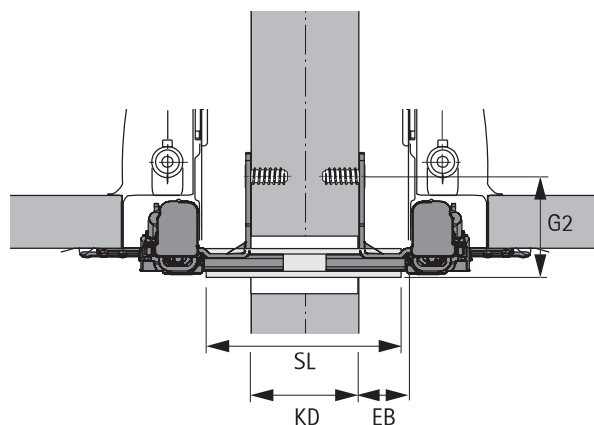
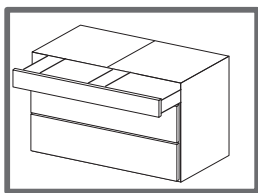
Push to open Multisynchronisation



i



$SL = KD + 2 \times EB - 6$



4

Quadro V6 Typ B

NL mm	260	300	350	420	470	520
LL mm	257	262	310	370	400	442

Quadro V6+ Typ A

NL mm	300	350	420	470	520	620
LL mm	261	309	345	381	435	513

	LH mm		G2 mm
Quadro V6	33	Quadro V6	43
Quadro V6+	38	Quadro V6+	46

Technik für Möbel

